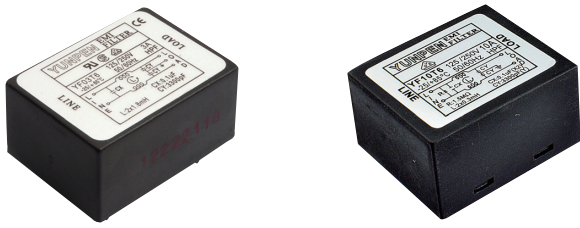


## YF-T6, T8 SERIES (PC Board Mounting Filters)



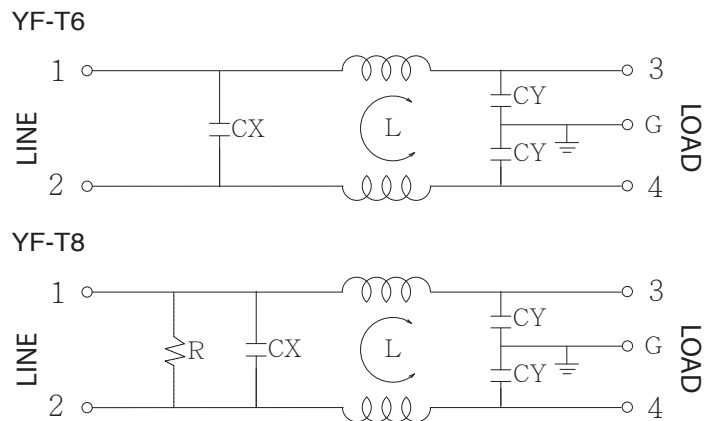
### Features

- Specially designed for easy PC Board mounting filtering with plastic case.
- The rated current can be offered up to 10 amps.
- Low leakage current version upon requested.
- Approved by UL, CSA, VDE and CE
- Applications comprising Household equipment , Medical equipment, Test and measurement equipment, datacom equipment, automation equipment
- Custom-specific versions are available on request.

### Technical Specification

Rated voltage	125/250VAC
Rated currents	1 to 10A
Operating frequency	50/60Hz
Hipot rating(Line-to-line)	1450VDC
Hipot rating(Line-to-ground)	2250VDC
Operating temperature	-25~+85°C
Safety compliance	T6 Series(UL, CSA, VDE, CE), T8 Series(VDE, CE)

### Typical electrical schematic

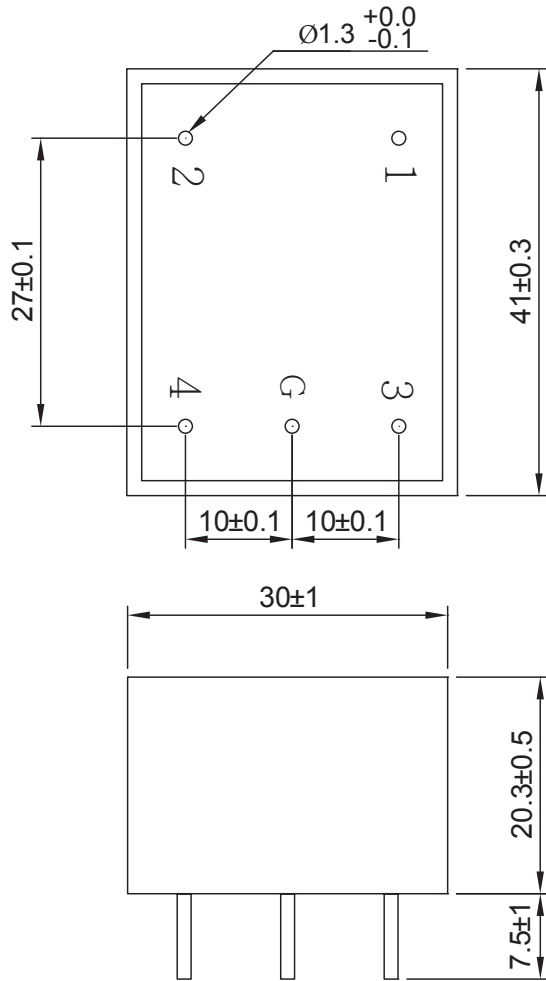


### Filter Selection Table

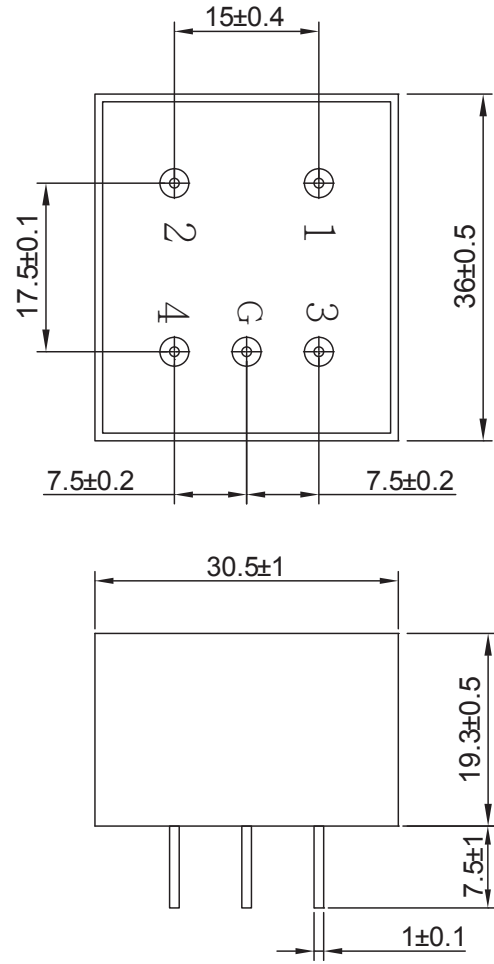
Part No.	Rated Current (A)	Inductance L(mH)	Capacitance CX( $\mu$ F)	Capacitance CY(pF)	Resistance R(ohm)	Output connections
YF01T6	1	3.7	0.1	3300	-	PCB terminal
YF03T6	3	1.8	0.1	3300	-	
YF06T6	6	0.7	0.1	3300	-	
YF10T6	10	0.3	0.1	3300	-	
YF01T8	1	3.7	0.1	3300	1.5M	
YF03T8	3	1.8	0.1	3300	1.5M	
YF06T8	6	0.7	0.1	3300	1.5M	
YF10T8	10	0.3	0.1	3300	1.5M	

## Physical Dimensions: (mm)

YF-T6



YF-T8



## Typical filter attenuation (Common mode — Normal mode —)

