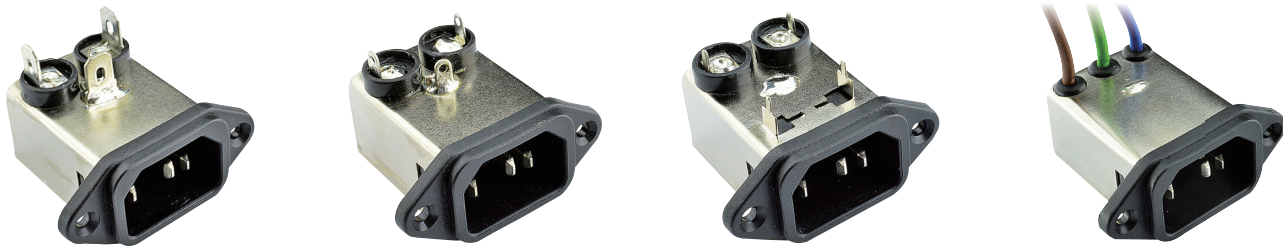


YA SERIES (IEC Inlet Filters)



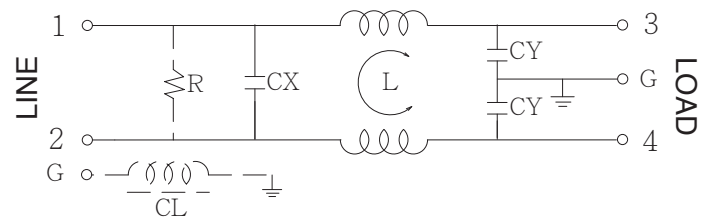
Features

- The YA series filter integrates an IEC inlet and filter with excellent noise suppression performance and compact size.
- The rated current can be offered up to 10 amps.
- Various output selections such as fast-on terminal, solder lug terminal, PCB terminal, and lead wire.
- The choice of integrated earth line choke (YAC)
- Low leakage current version upon requested.
- Approved by UL, CSA, VDE, CQC and CE
- Custom-specific versions are available on request.
- Application for Electrical and electronic equipment, Single-phase power supplies, UPS, Medical equipment, Test and measurement equipment.

Technical Specification

Rated voltage	125/250VAC
Rated currents	1 to 10A
Operating frequency	50/60Hz
Hipot rating(Line-to-line)	1450VDC
Hipot rating(Line-to-ground)	2250VDC
Operating temperature	-25~+85°C
Safety compliance	UL, CSA, VDE, CQC, CE

Typical electrical schematic



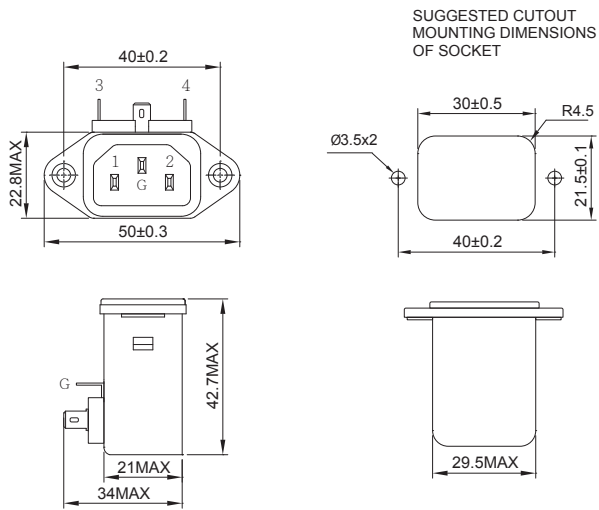
*With optional ground choke and resistor.
 R: 1M ohm, 1/4W min.
 CL: 100 μ H

Filter Selection Table

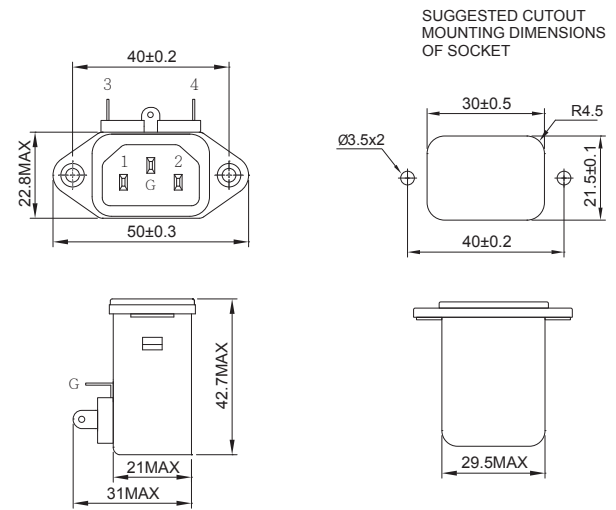
Part No.	Rated Current A	Inductance L(mH)	Capacitance CX(μ F)	Capacitance CY(pF)	Output connections
YA01T1	1	3.7	0.1	3300	6.3mm(0.8T) Fast-on terminal (optional lead-wire)
YA03T1	3	1.8	0.1	3300	
YA06T1	6	0.7	0.1	3300	
YA10T1	10	0.3	0.1	3300	
YA01T3	1	3.7	0.1	3300	4.0mm(0.8T) Solder lug terminal
YA03T3	3	1.8	0.1	3300	
YA06T3	6	0.7	0.1	3300	
YA10T3	10	0.3	0.1	3300	
YA01P	1	3.7	0.1	3300	PCB terminal
YA03P	3	1.8	0.1	3300	
YA06P	6	0.7	0.1	3300	
YA10P	10	0.3	0.1	3300	

Physical Dimensions: (mm)

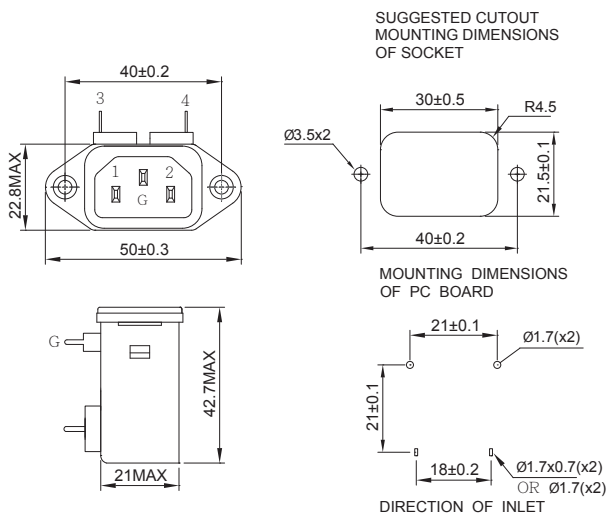
YA-T1



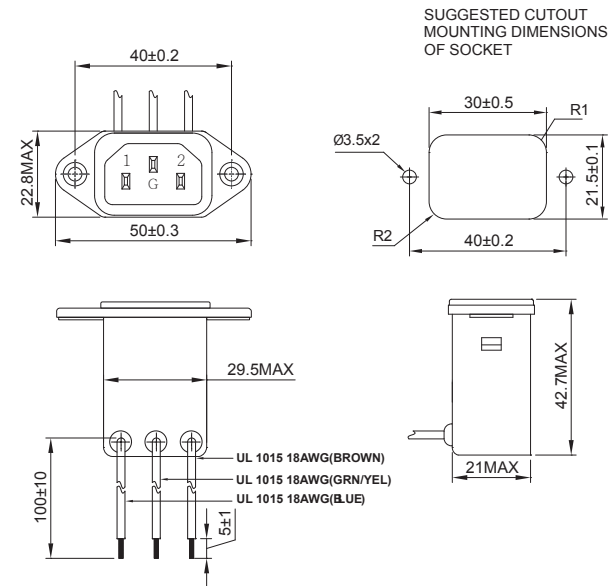
YA-T3



YA-P



YA-T (Lead-wire)



Typical filter attenuation (Common mode — Normal mode —)

