

# YL SERIES (Power Entry Module Filters)



## Features

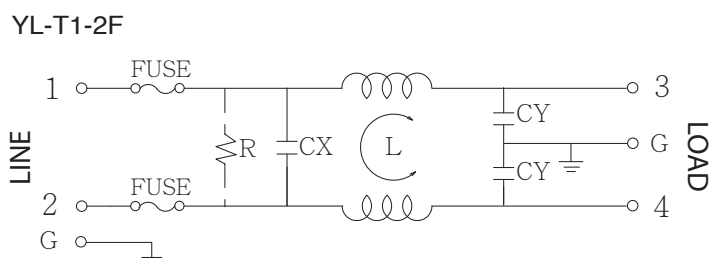
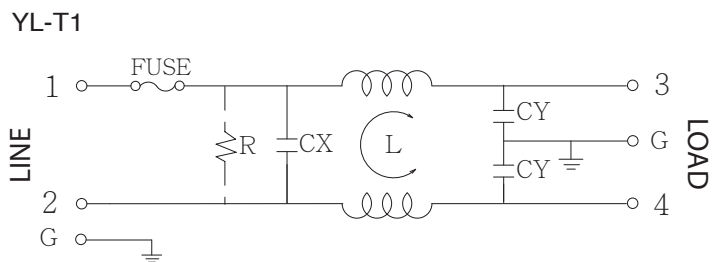
- General purpose filter with fuse holder providing effective EMI suppression of both line-to-line and line-to-ground noise
- The rated current can be offered up to 10 amps and available with single or double fuse holder(Ø 5 x 20 mm)
- Various output selections such as fast-on terminal, and lead wire.
- Low leakage current version upon requested.
- Approved by UL, CSA, VDE, CQC and CE.
- Applications comprising Electrical and electronic equipment, Household equipment, Medical equipment, Testing and Measuring equipment.
- Custom-specific versions are available on request.

## Technical Specification

Rated voltage	125/250VAC
Rated currents	1 to 10A
Operating frequency	50/60Hz
Hipot rating(Line-to-line)	1450VDC
Hipot rating(Line-to-ground)	2250VDC
Operating temperature	-25~+85°C
Safety compliance	UL,CSA,VDE,CQC,CE

\*except double fuse type

## Typical electrical schematic



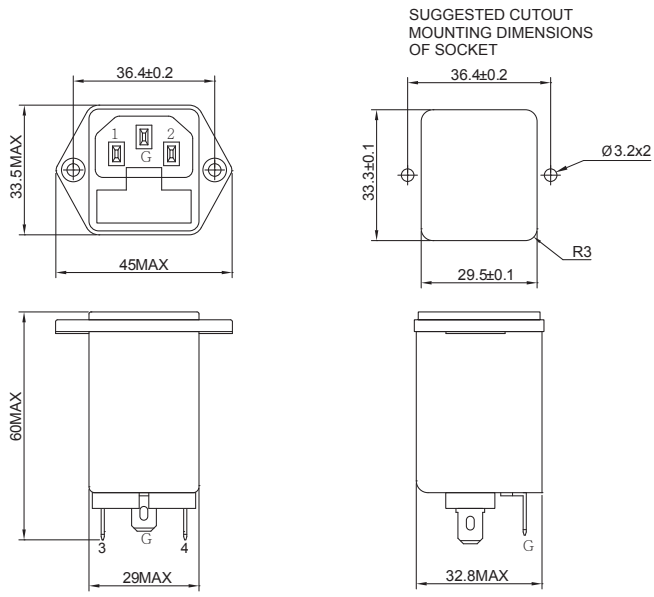
\*With optional resistor.  
R: 1M ohm, 1/4W min.

## Filter Selection Table

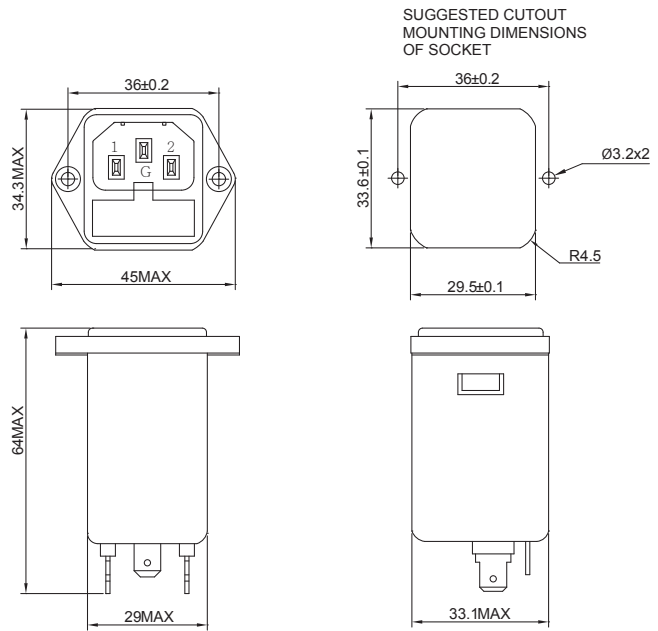
Part No.	Rated Current (A)	Inductance L(mH)	Capacitance CX(μF)	Capacitance CY(pF)	Output connections
YL01T1	1	3.7	0.1	3300	6.3mm(0.8T) Fast-on terminal (optional lead-wire)
YL03T1	3	1.8	0.1	3300	
YL06T1	6	0.7	0.1	3300	
YL10T1	10	0.3	0.1	3300	
YL01T1-2F	1	3.7	0.1	3300	
YL03T1-2F	3	1.8	0.1	3300	
YL06T1-2F	6	0.7	0.1	3300	
YL10T1-2F	10	0.3	0.1	3300	

# Physical Dimensions: (mm)

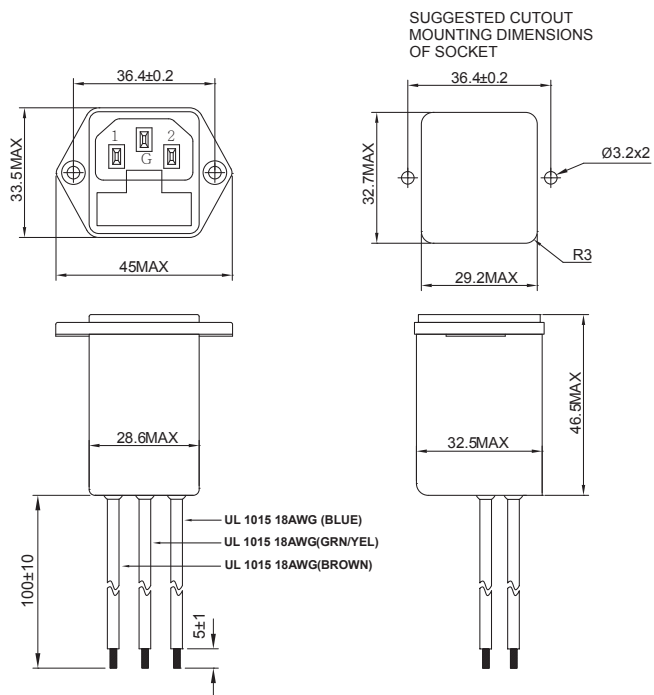
YL-T1



YL-T1-2F



YL (Lead-wire)



## Typical filter attenuation (Common mode — Normal mode —)

