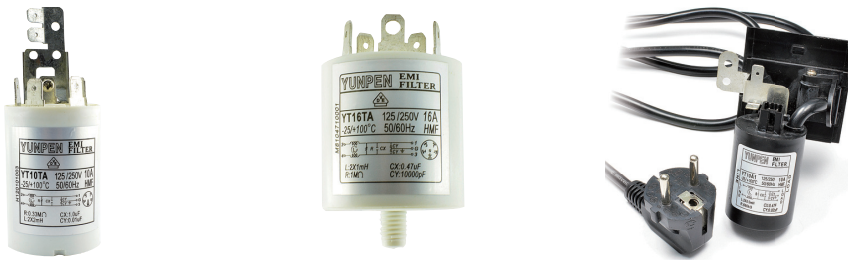


# YT SERIES (Household Applications Filters)



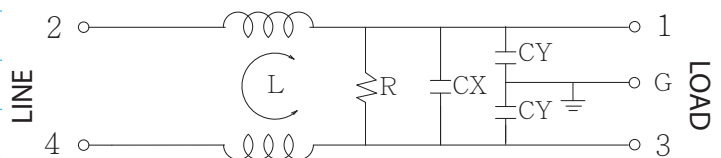
## Features

- The YT series filter has excellent noise suppression performance.
- Compact easy to mount cylindrical filter
- The rated current can be offered up to 16 amps.
- Approved by CE
- Applications comprising in Household equipment, office equipment and household appliances (washing machines and dryers)
- Custom-specific versions are available on request.

## Technical Specification

Rated voltage	125/250VAC
Rated currents	Up to 16A
Operating frequency	50/60Hz
Hipot rating(Line-to-line)	1450VDC
Hipot rating(Line-to-ground)	2250VDC
Operating temperature	-25~+85°C
Safety compliance	CE

## Typical electrical schematic

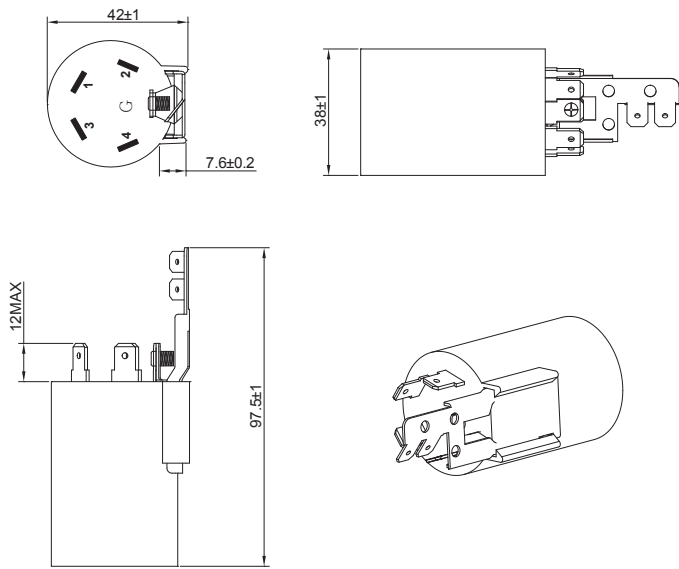


## Filter Selection Table

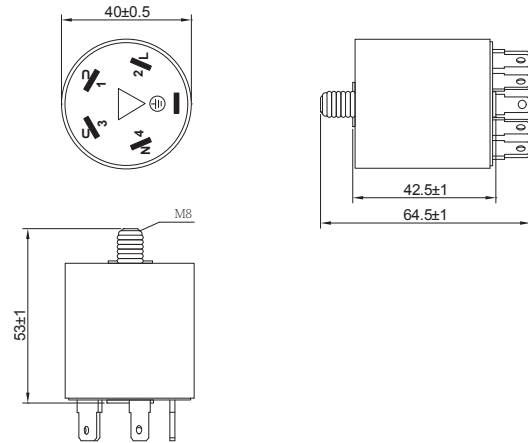
Part No.	Rated Current (A)	Inductance L(mH)	Capacitance CX( $\mu$ F)	Capacitance CY(pF)	Resistance R(ohm)	Output connections
YT10TA-H	10	2	1	10000	680K	6.3mm(0.8T) Fast-on terminal
YT16TA-H	16	1	0.47	10000	680K	
YT10TA-M8	10	1	0.47	2200	1M	
YT16TA-M8	16	1	0.47	10000	1M	
YT10A1	10	0.5	0.47	25000	680K	RAST 5.0

## Physical Dimensions: (mm)

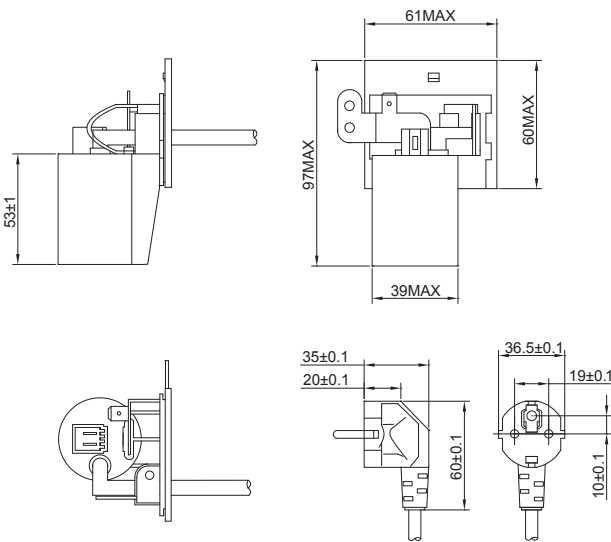
YT-TA-H



YT-TA-M8



YT10A1



## Typical filter attenuation (Common mode — Normal mode —)

